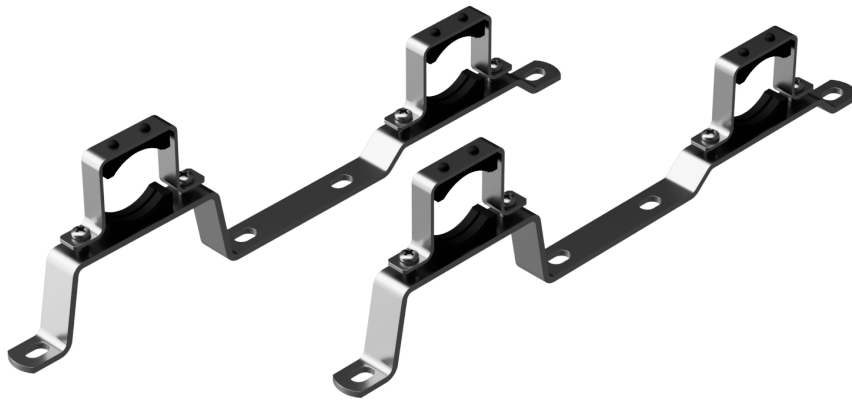


S3 Manifold - Brackets (Pair)

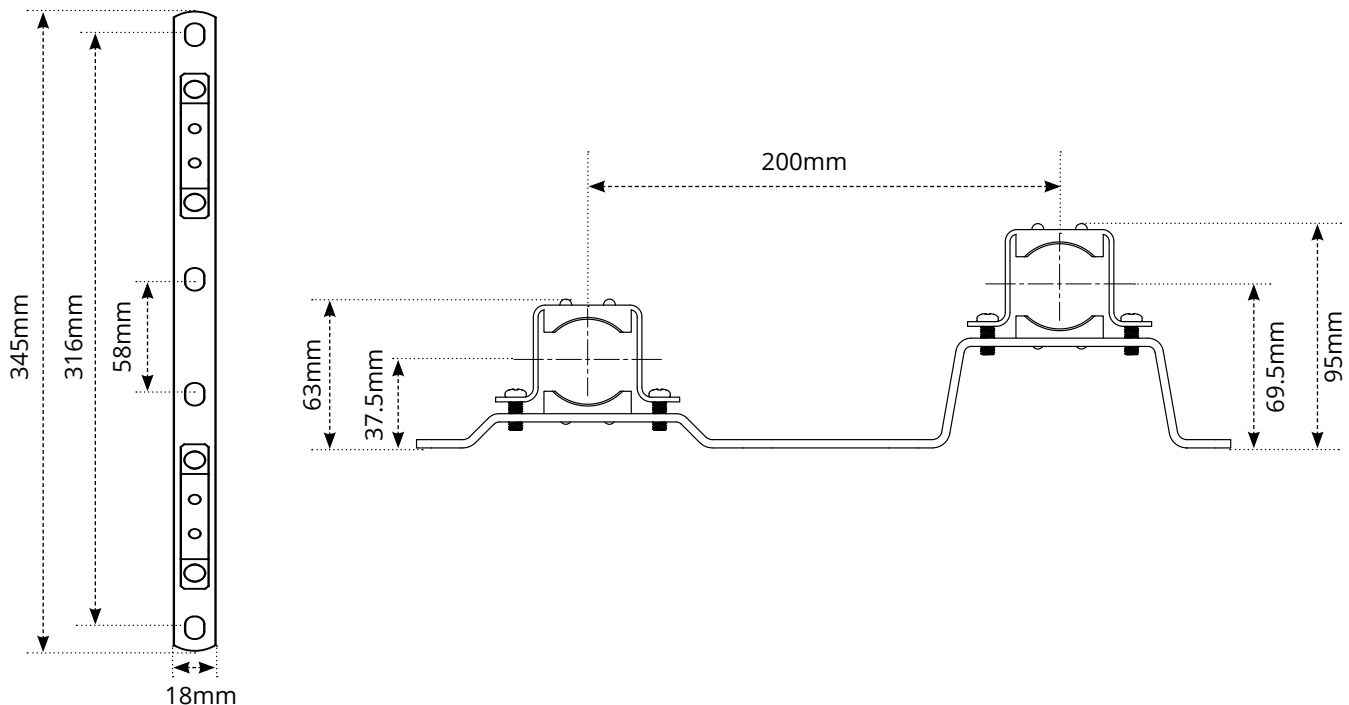
WHS-M-S3-BRACKET



Overview

The manifold brackets secure the flow and return arms of the Warmup S3 manifold while also providing a stable mounting surface for attaching the manifold to the wall or manifold cabinet.

Dimensions



Contact

Warmup plc

www.warmup.co.uk T: 0345 345 2288

uk@warmup.com F: 0345 345 2299

Warmup plc ■ 704 Tudor Estate ■ Abbey Road ■ London ■ NW10 7UW ■ UK

Warmup GmbH ■ Ottostraße 3 ■ 27793 Wildeshausen ■ DE

Warmup - TS - S3 Manifold Brackets - V1.0 - 2023-05-04_EN

Warmup